

PEIDA STUDIO

FINAL PERESENTATION



## PEIDA STUDIO

---

Peida Studio is a young community based on friendly relations, which is looking for new and ambitious experiences with an emphasis on extensive knowledge and experience. Creating an atmosphere based on providing comfort and creating a safe, compatible and new platform is the key approach of this collection.

## INFO

FOUNDED BY ANNA AKHLAGHI & HOSSEIN KARIMI, 2016

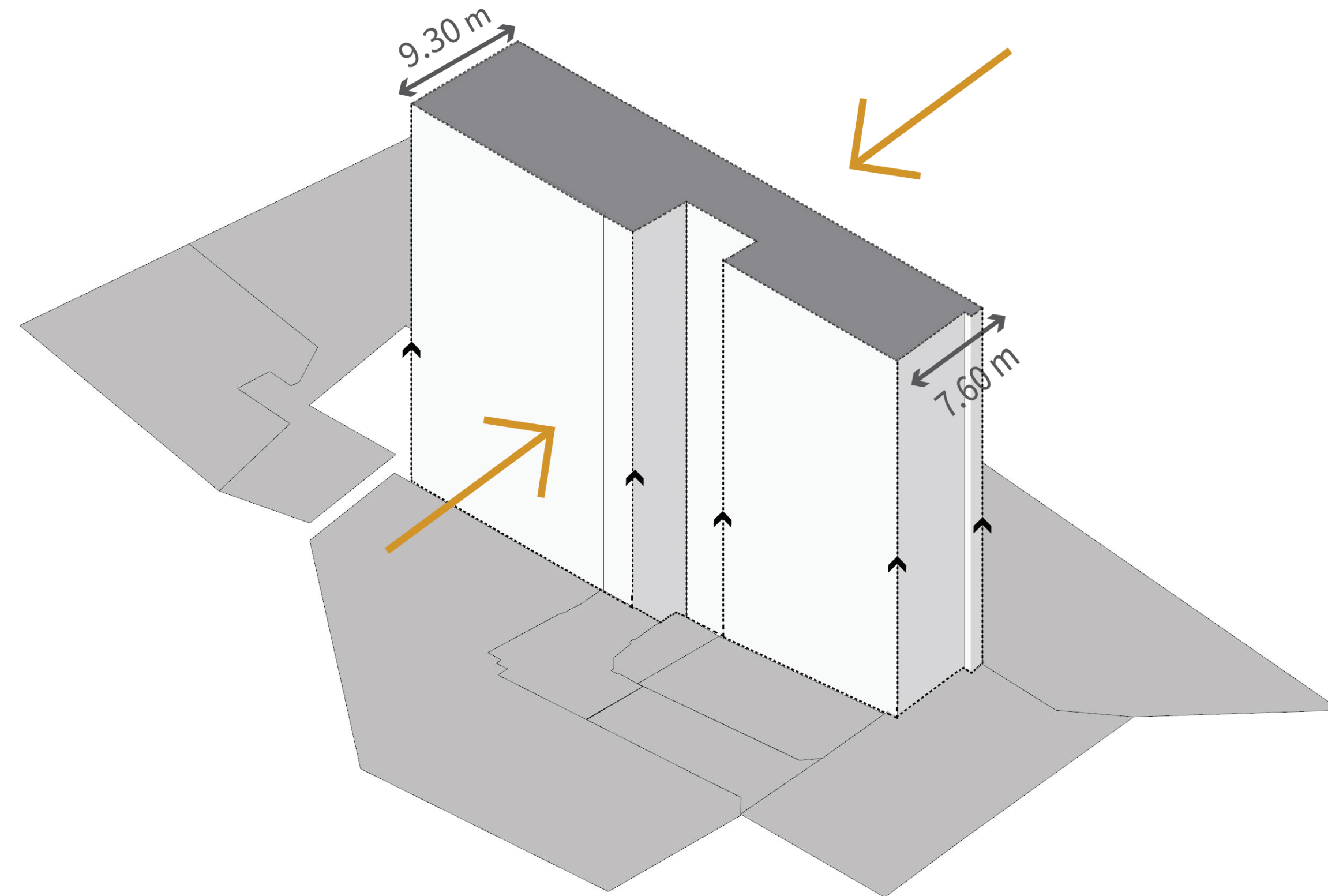
ADDRESS :NO.2 , KERMANSHAHI D.END , FANAKHOSRO ST ,  
TAJRISH SQ , TEHRAN

EMAIL : PEIDASTUDIO@YAHOO.COM

INSTAGRAM : PEIDA.STUDIO

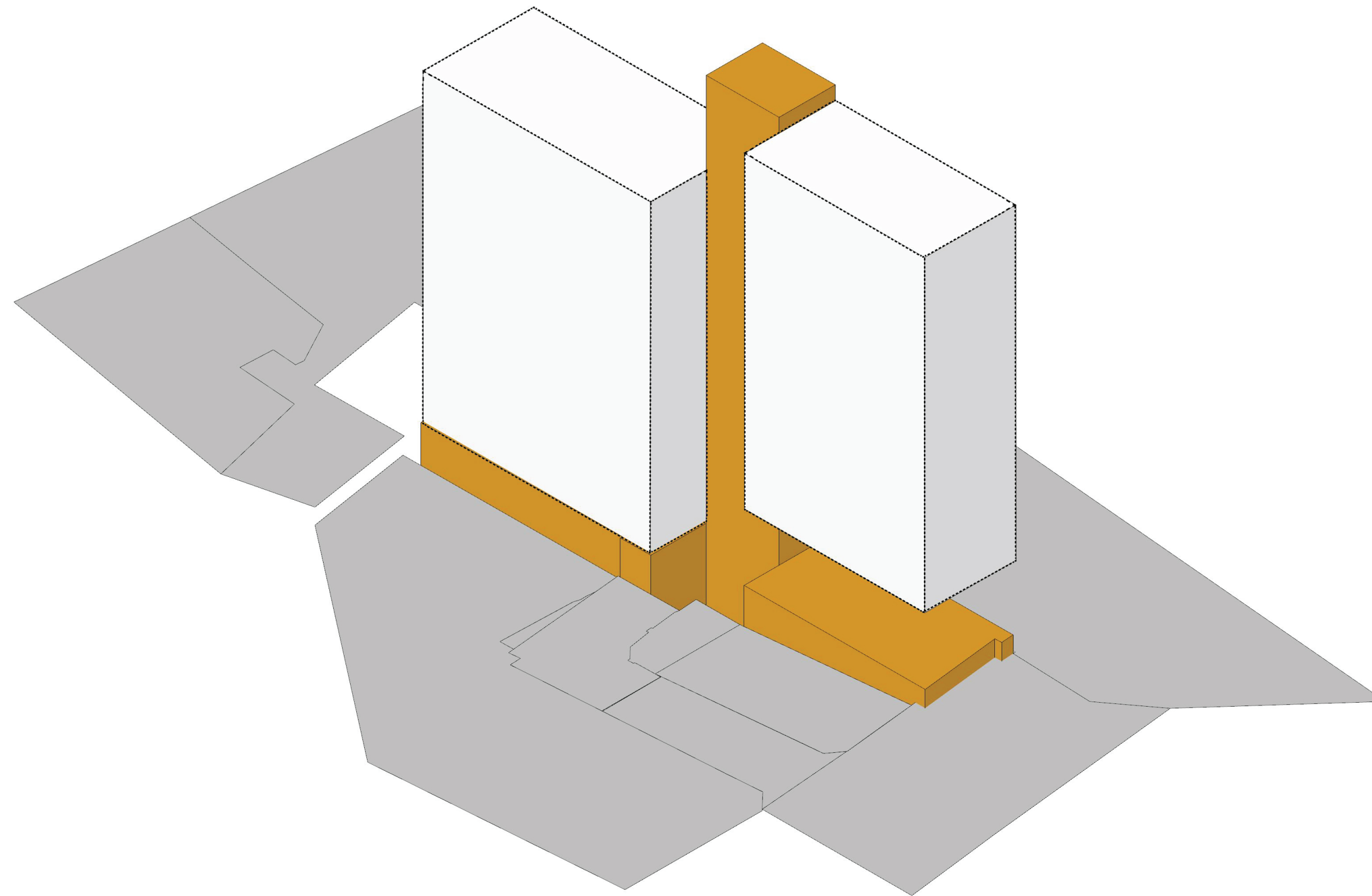
TEL : 02122719221 - 09124845112

CONCEPT DIAGRAM



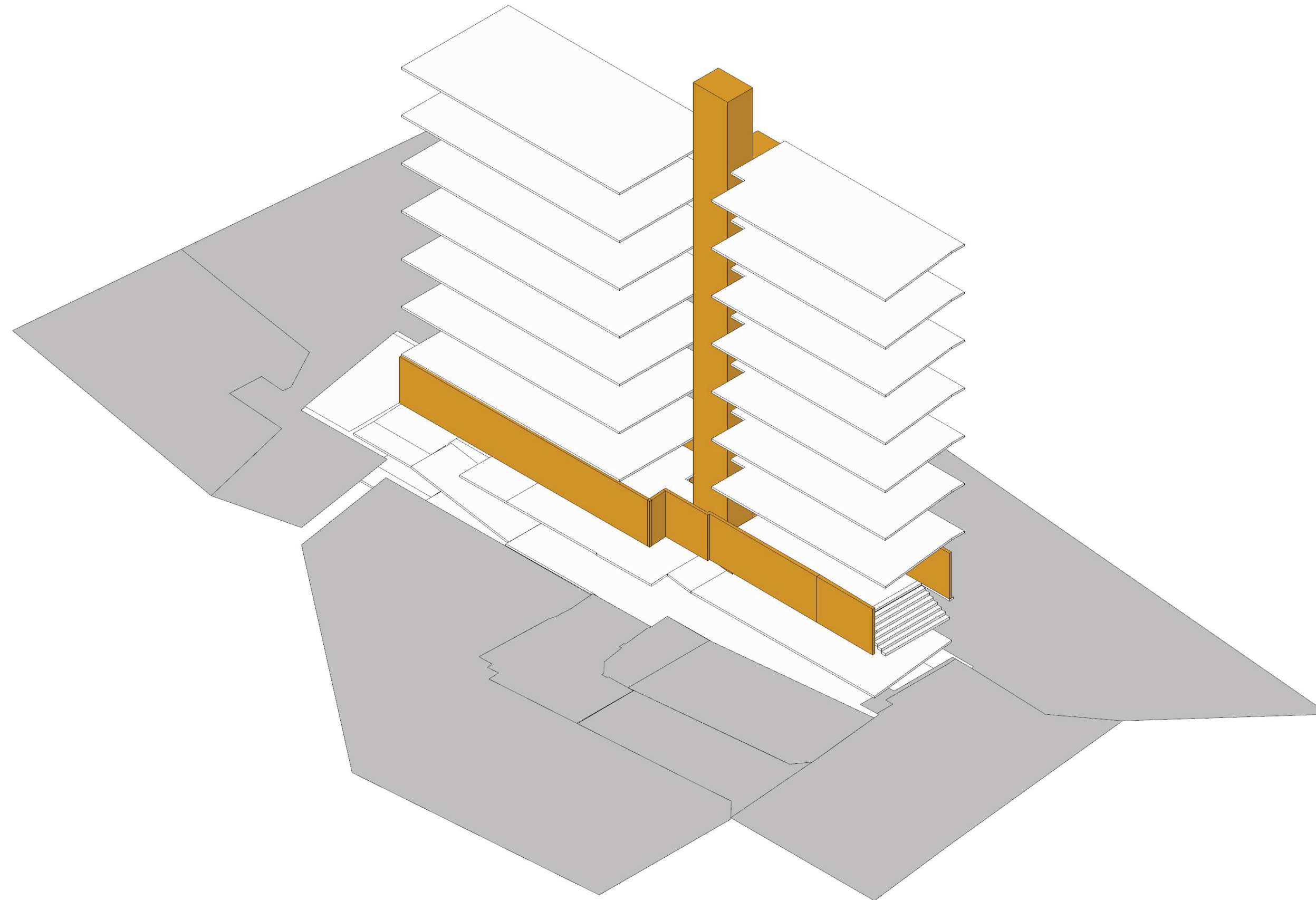
Extruding Mass

CONCEPT DIAGRAM



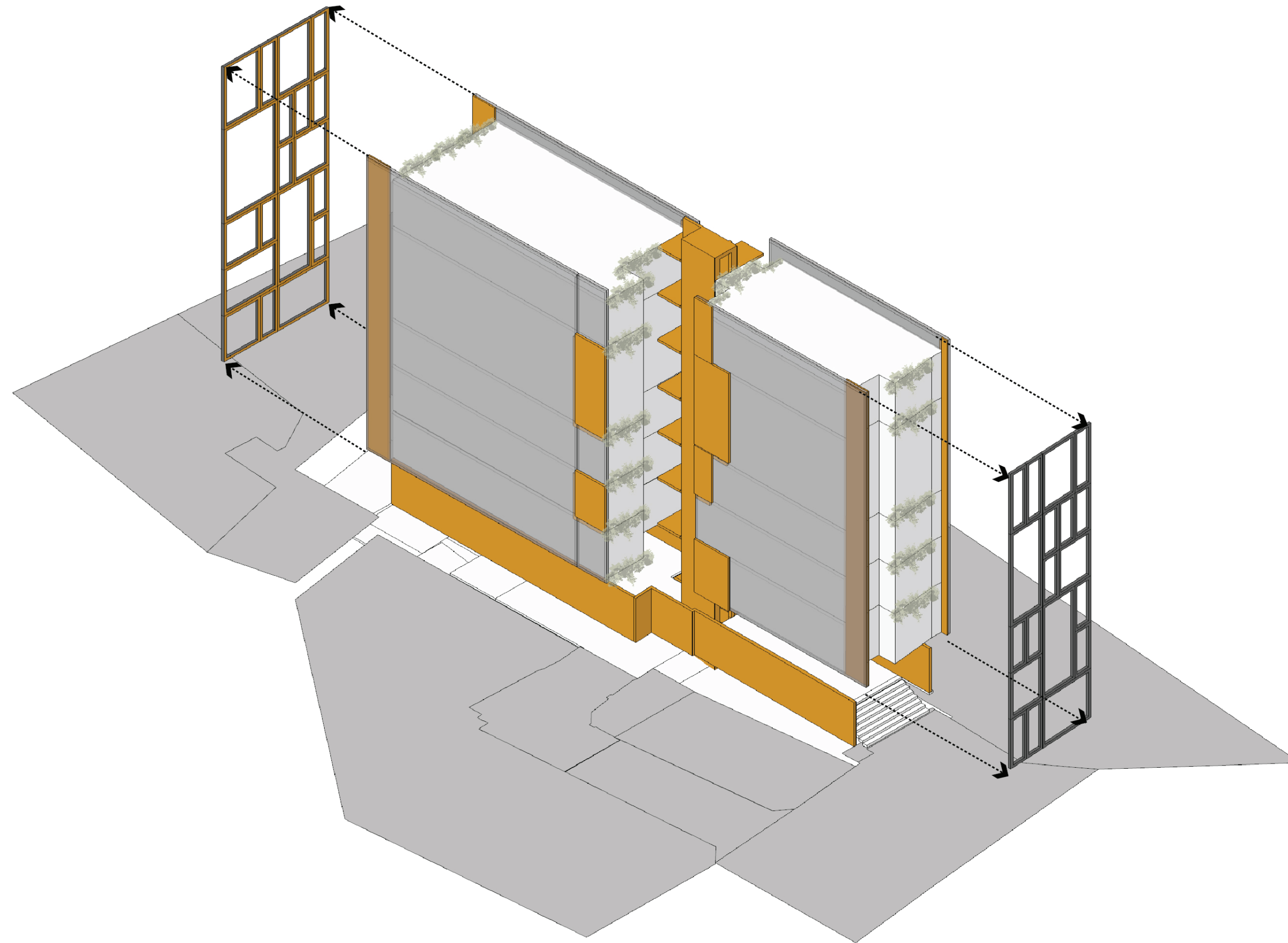
Divided By Void

CONCEPT DIAGRAM



Each Floor Has Two Levels

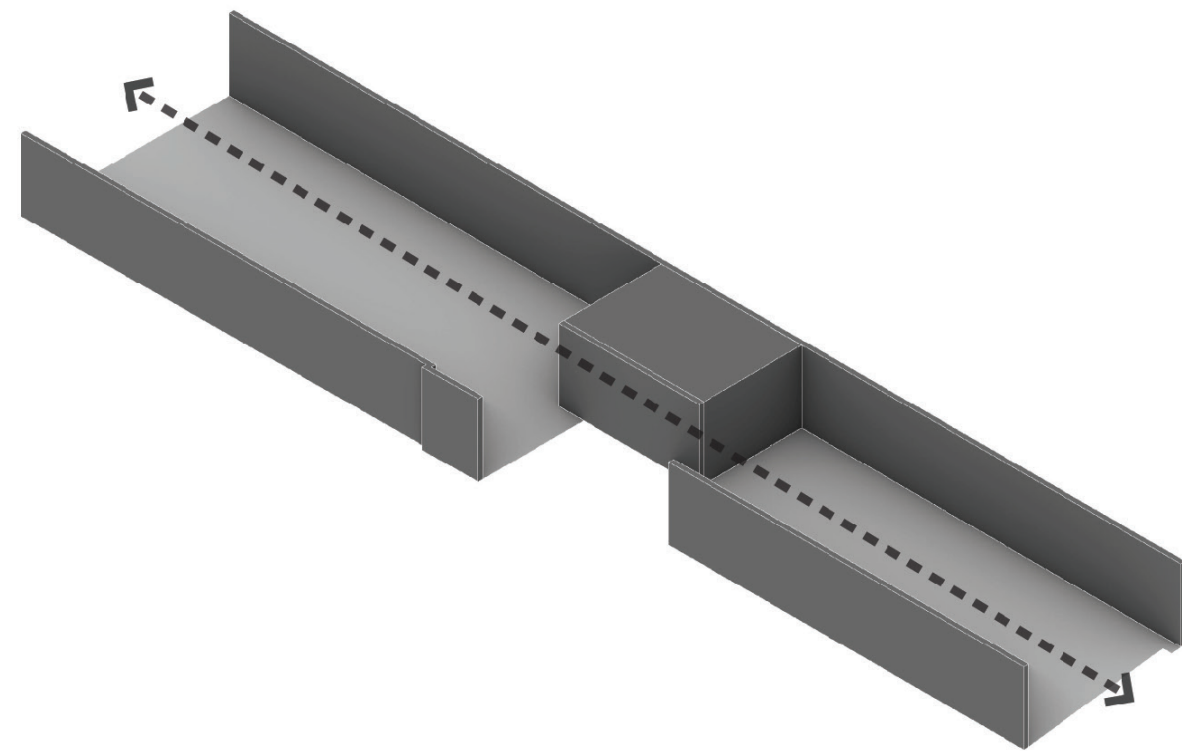
CONCEPT DIAGRAM



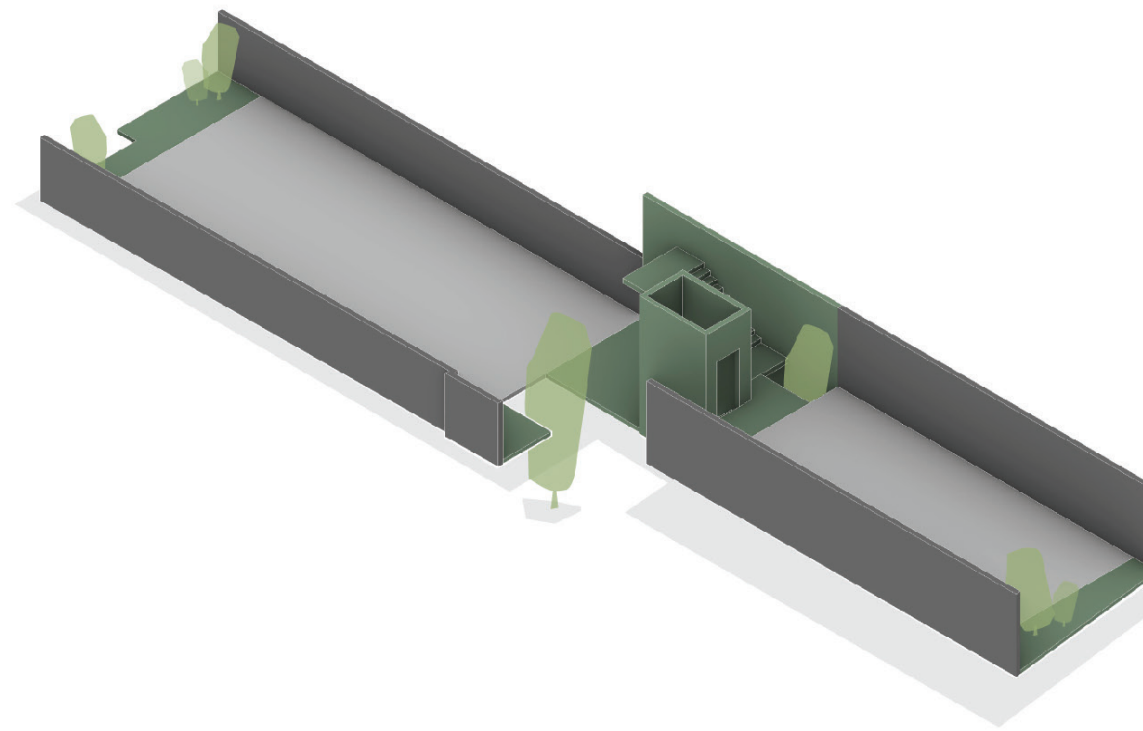
Internal Green Layer



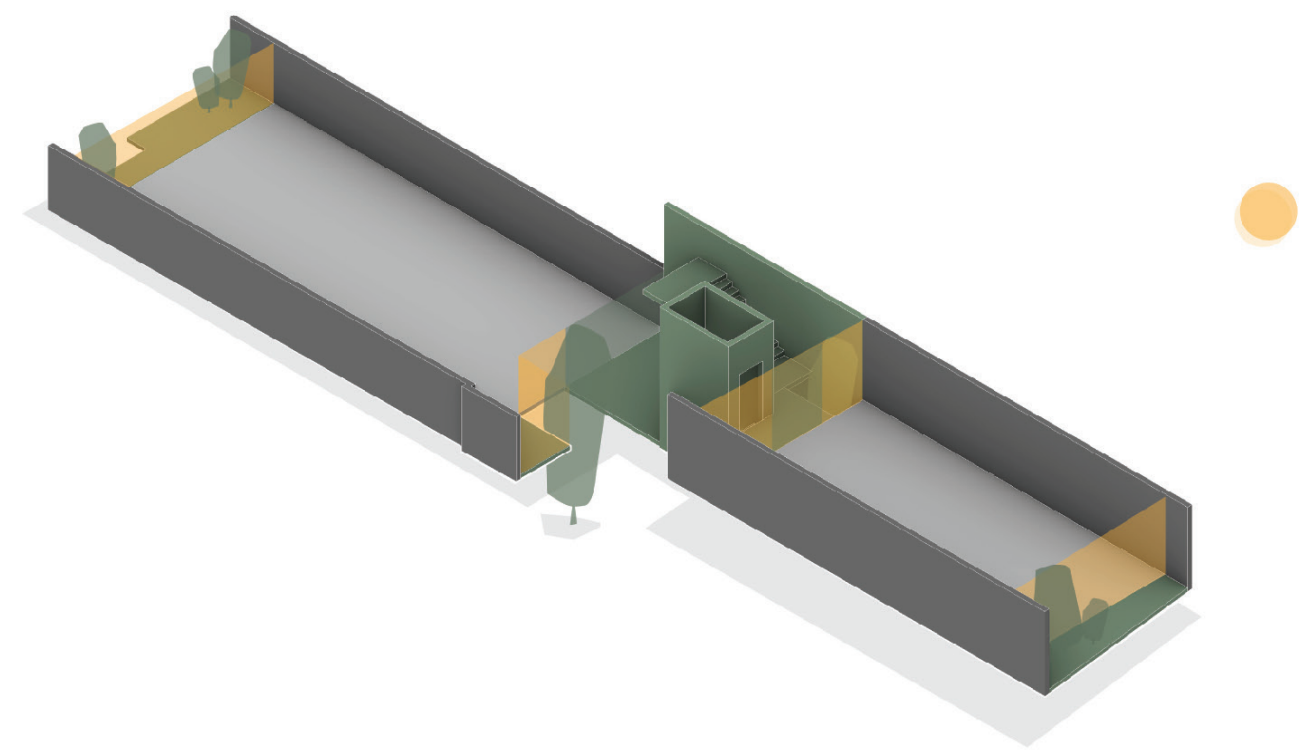
PROCESS OF DESIGN



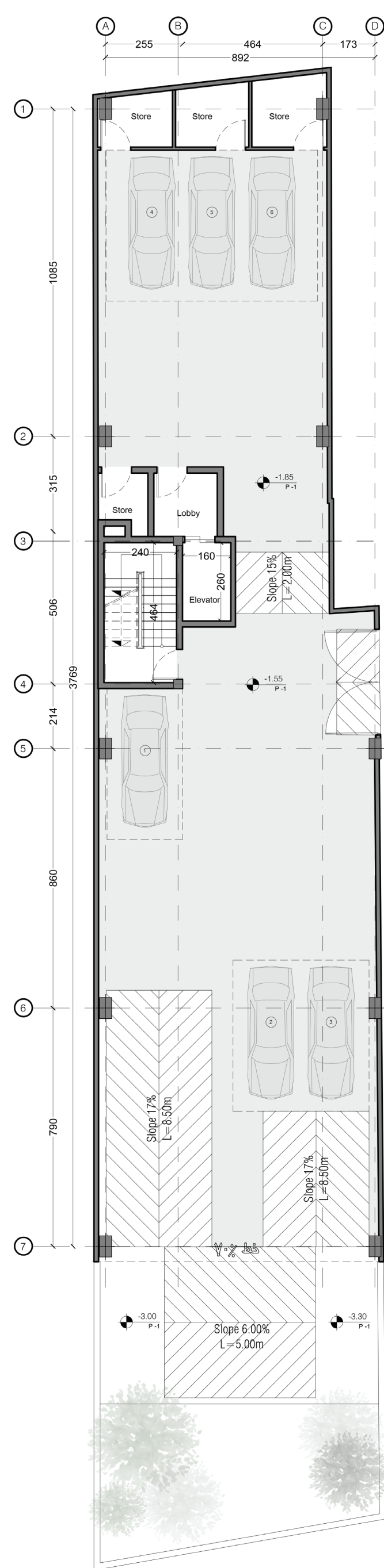
Long Plan & Narrow Width



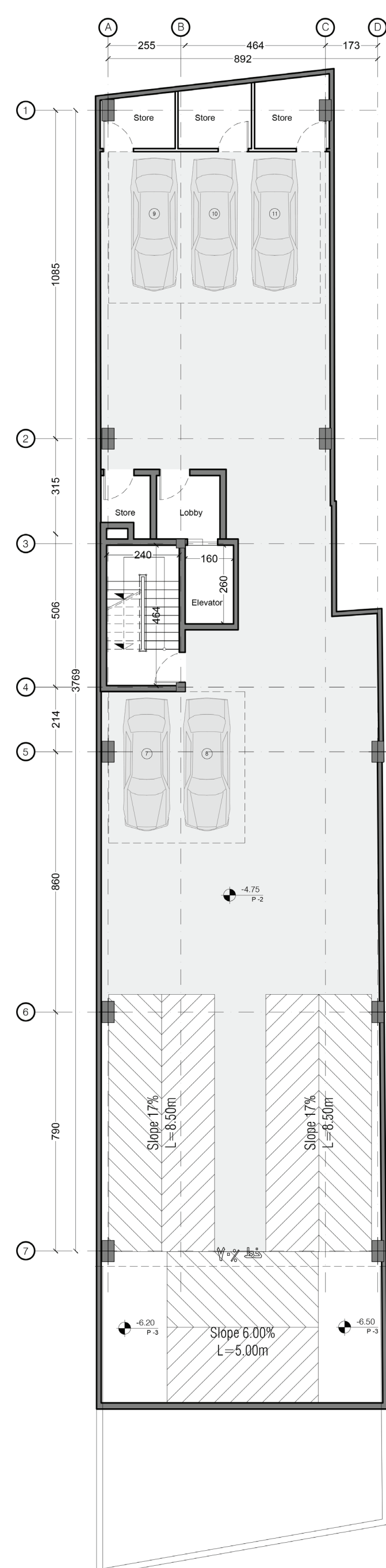
Create Green Voids



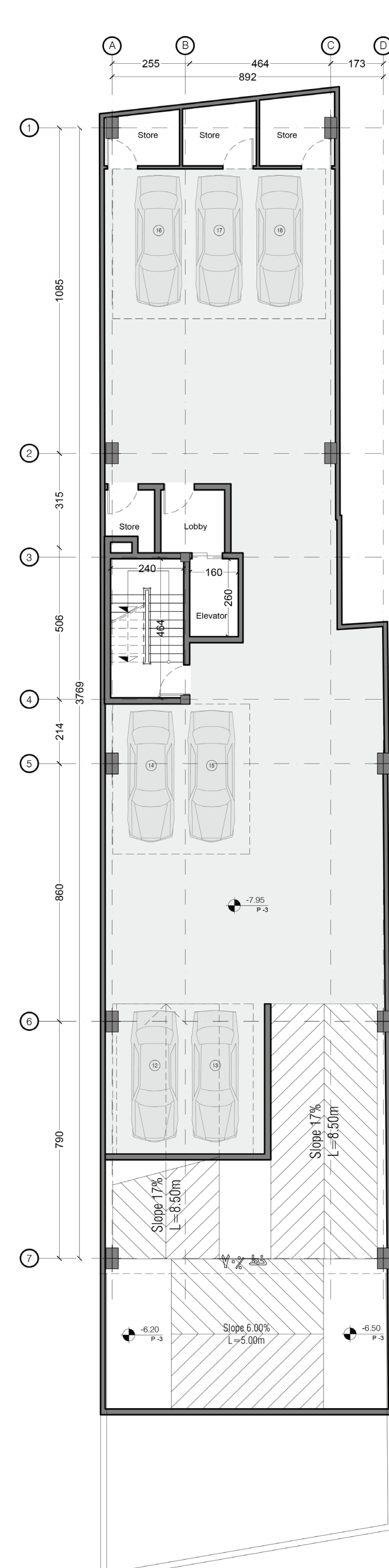
Increasing Natural Light



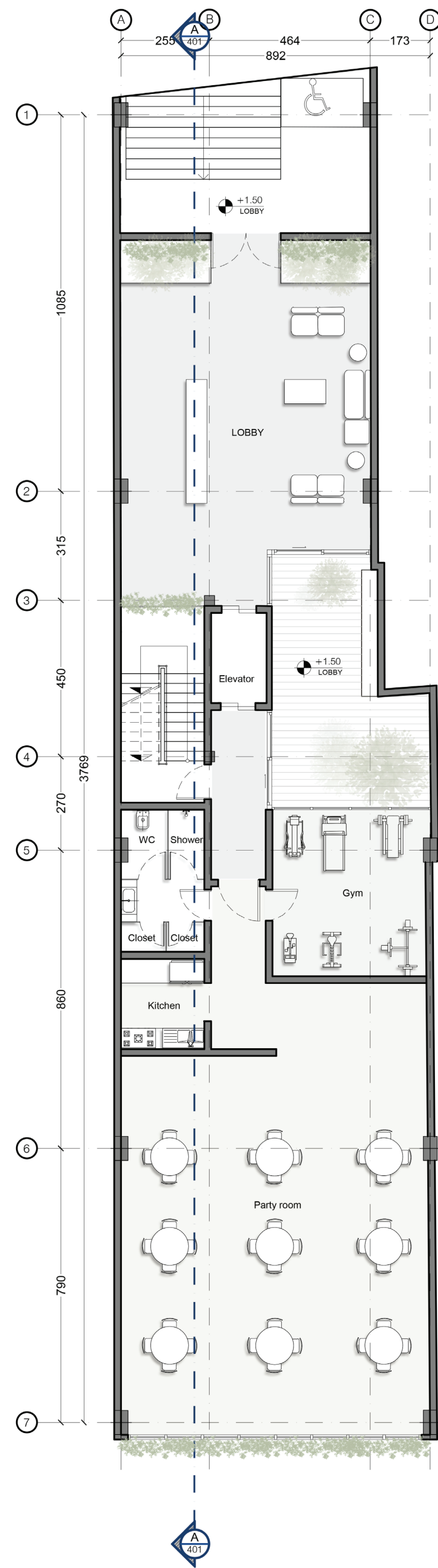
-1 Floor Plan  
SCALE : 1.200



-2 Floor Plan  
SCALE : 1.200

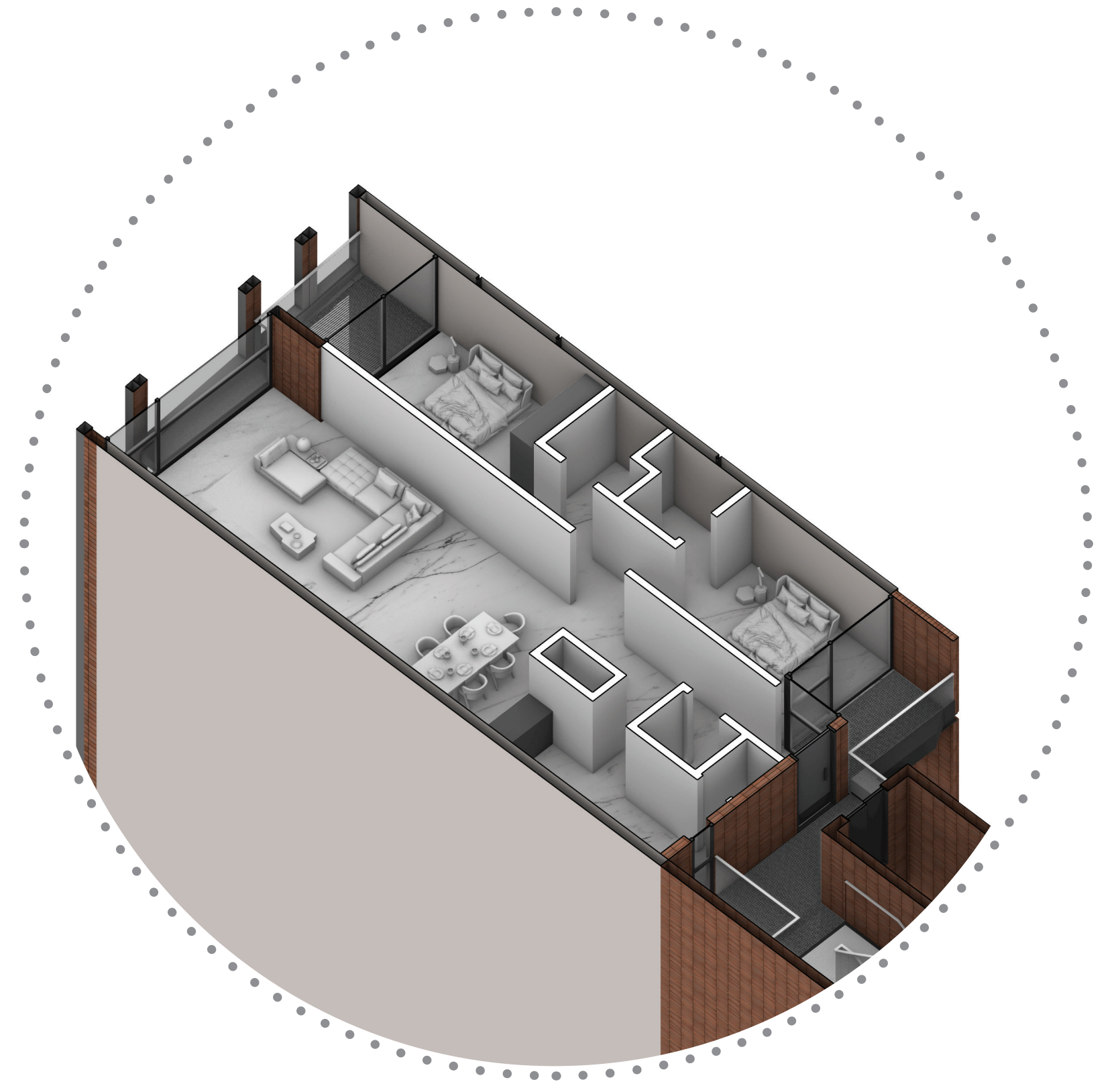
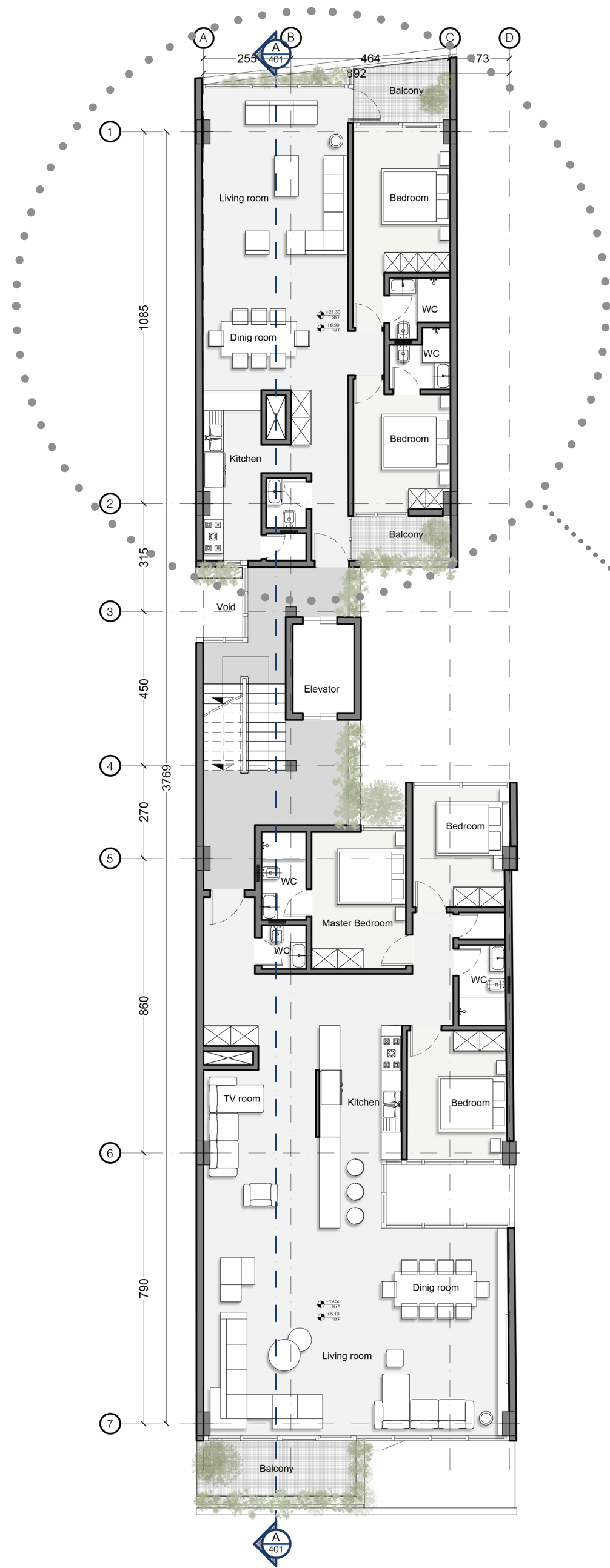


-3 Floor Plan  
SCALE : 1.200



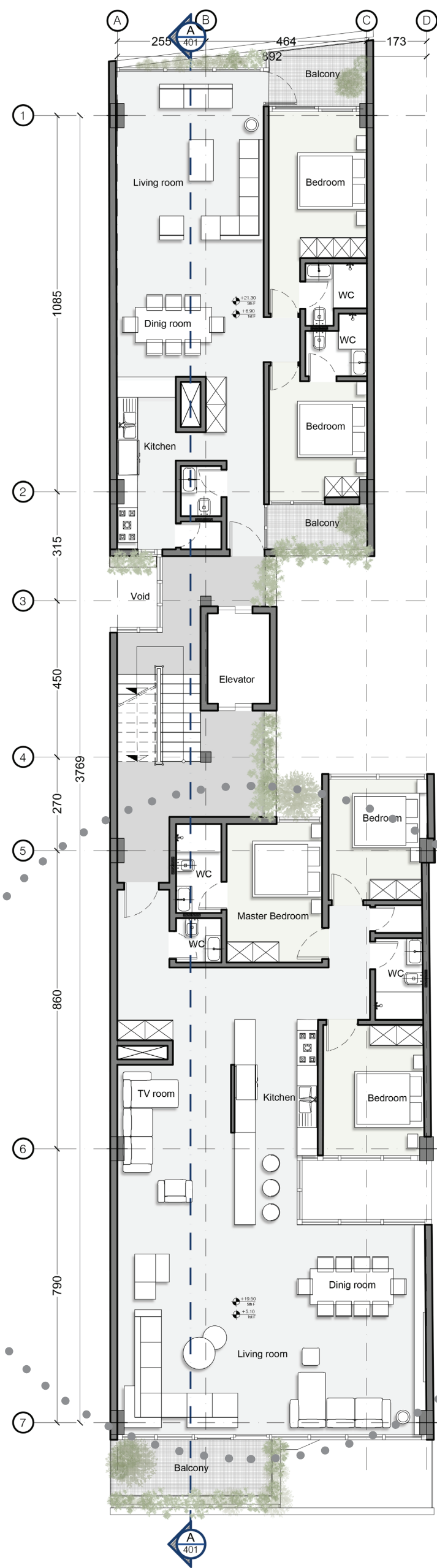
Ground Floor Plan  
SCALE : 1.200



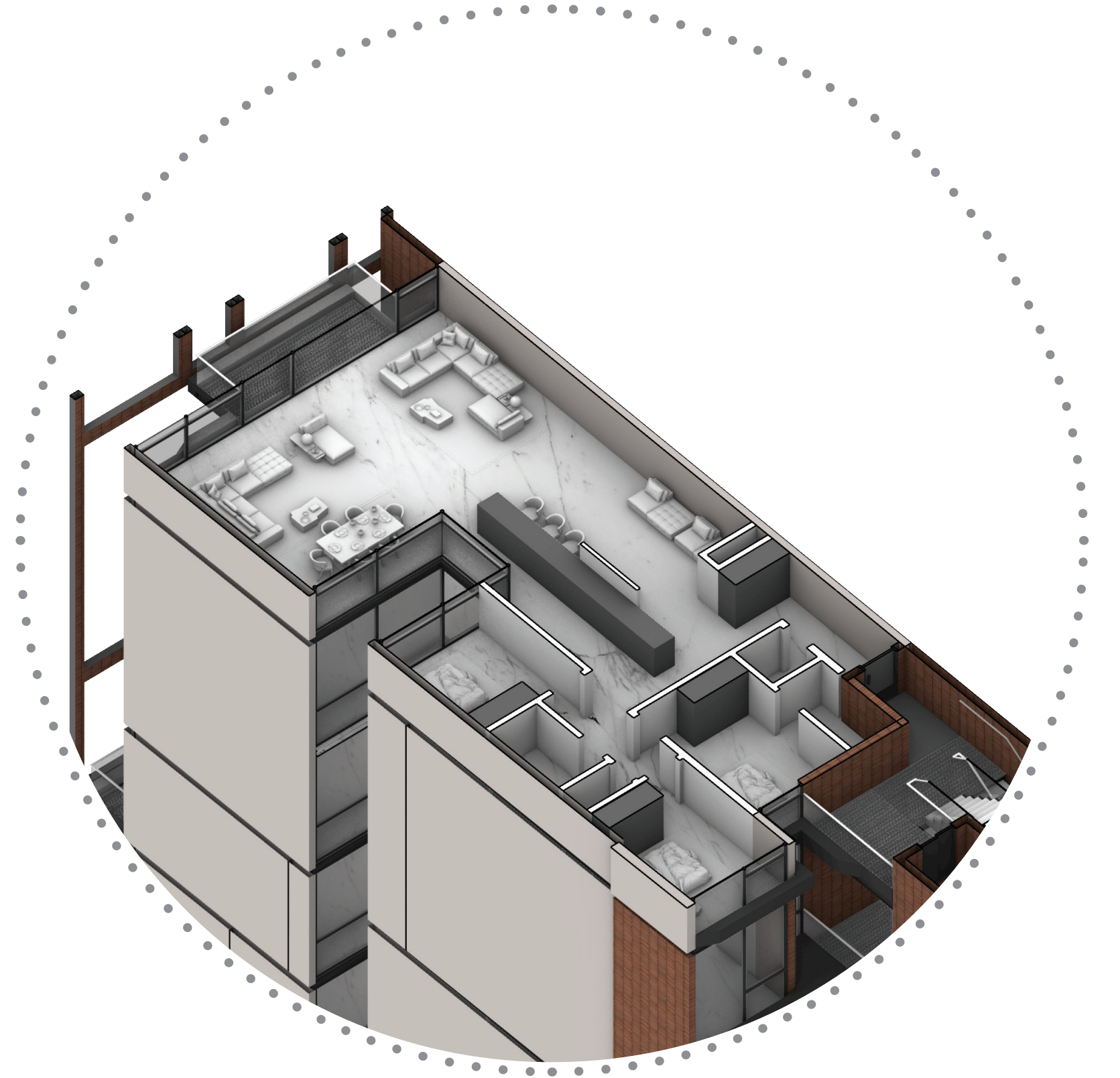
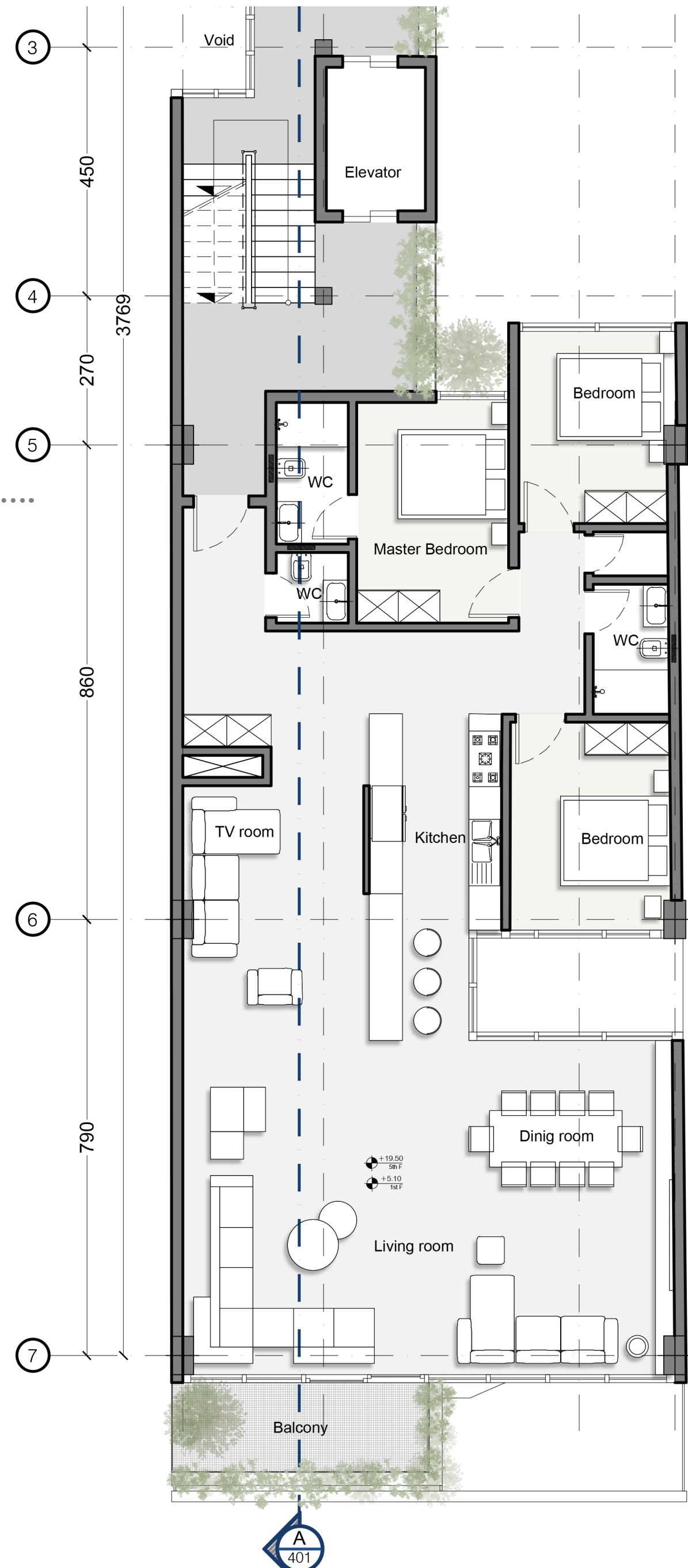


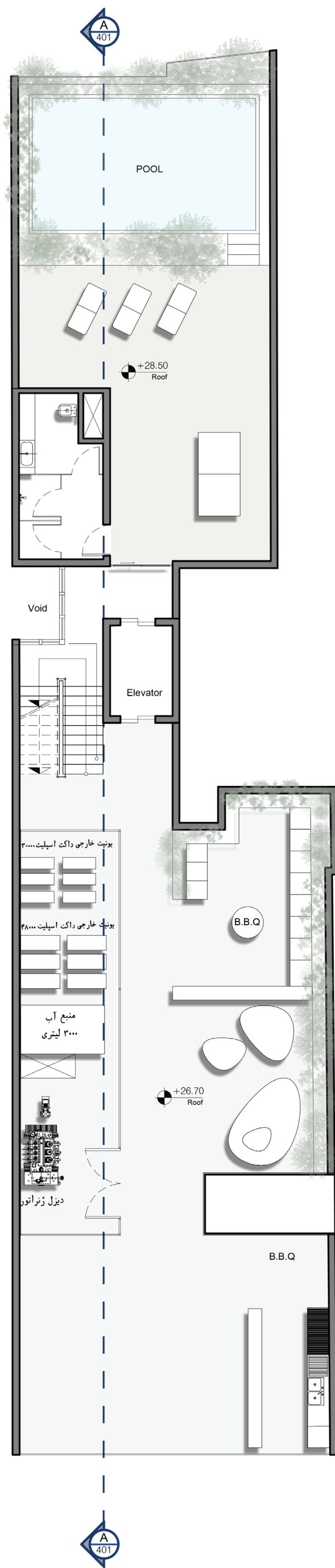
Floor Plan

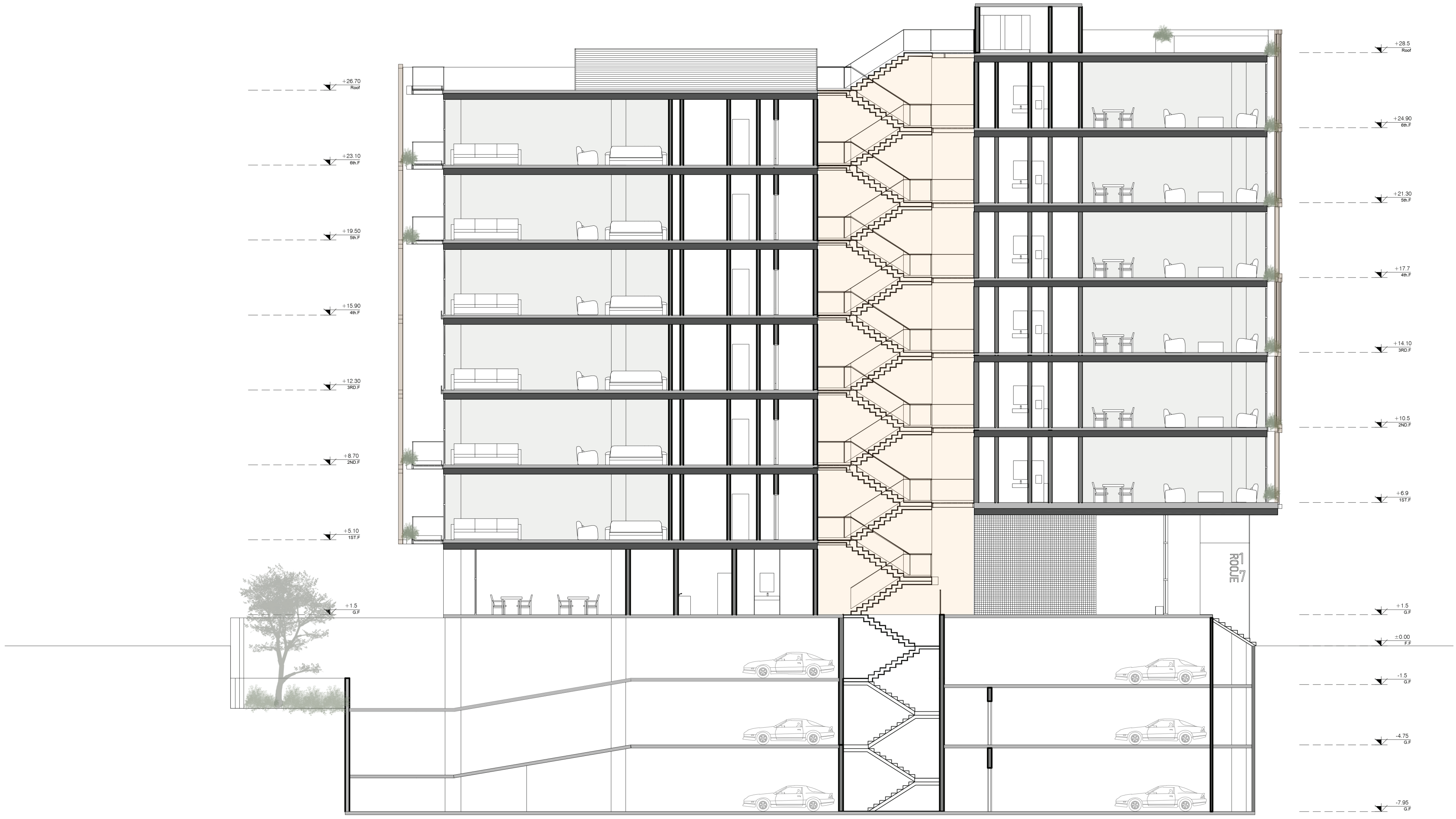




Floor Plan  
SCALE : 1:200







Section A-A  
SCALE: 1:300





• Facade Material

• Brick

• Nama Chin

• H 15

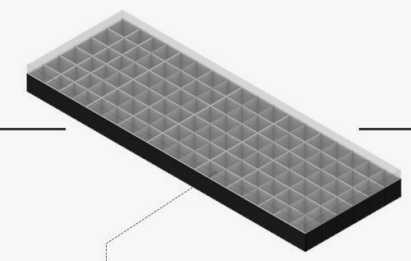
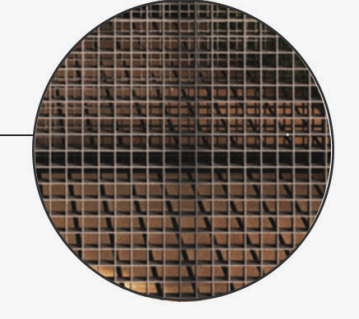
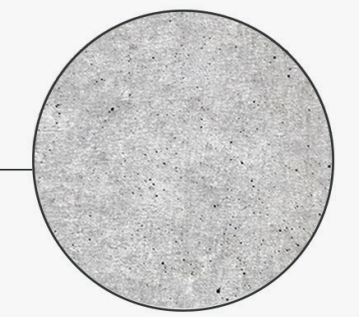
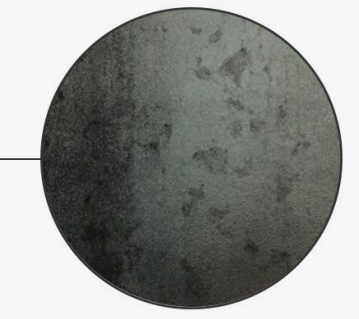
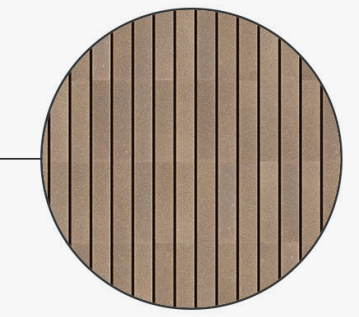
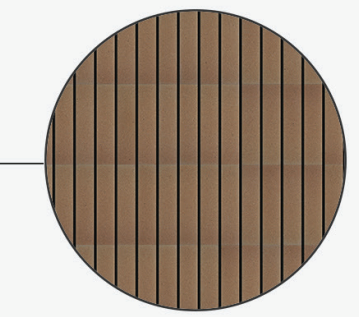
• S 19

• metal sheet

• Expose Concrete

• Grating

• 2cm\*2cm



Glass

ROOJE 17





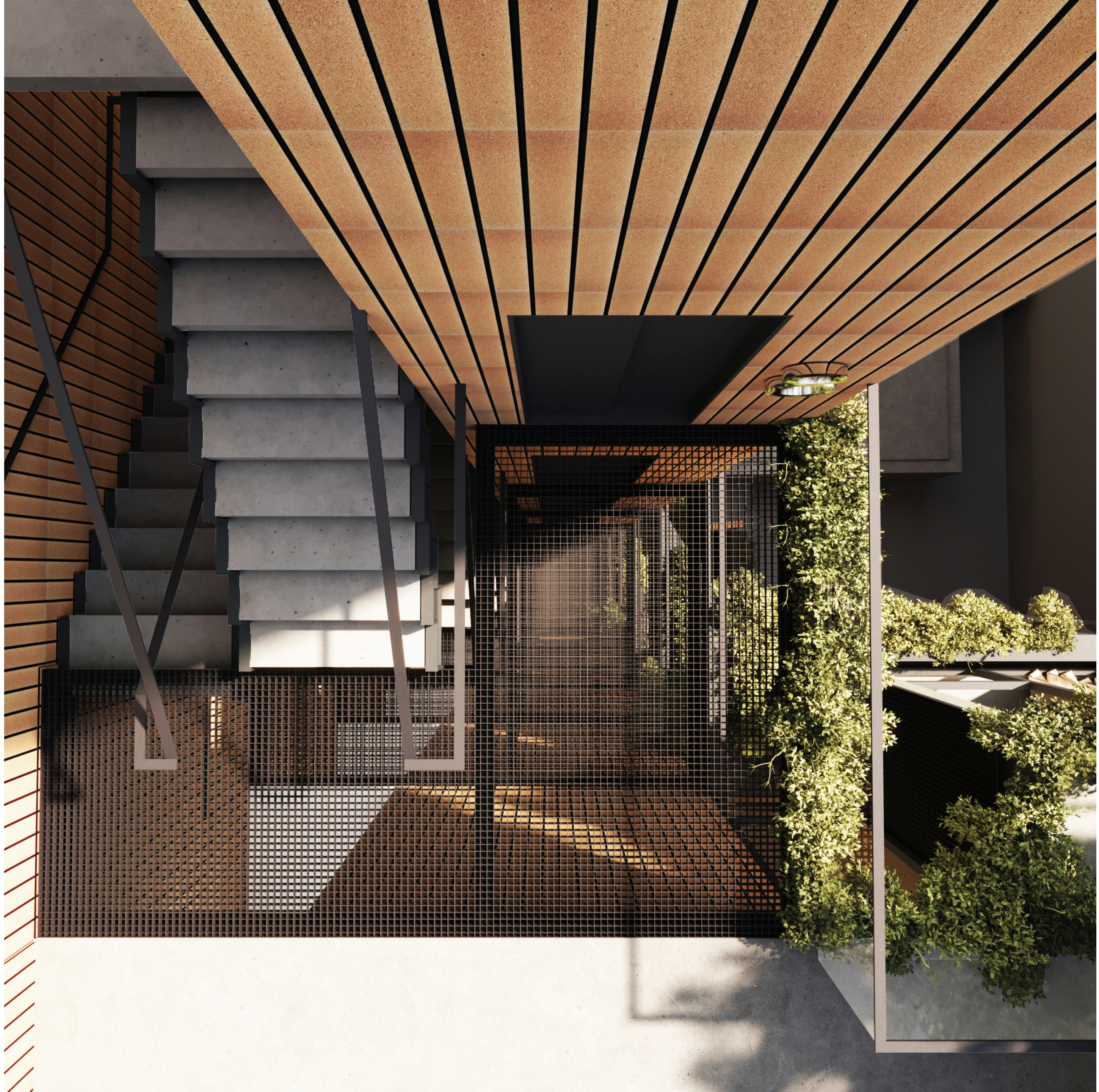




















12  
ROOJE













DON'T QUIT

YES YOU CAN

